



THE OHM TOWN NEWS

Voice of the Bridgerland Amateur Radio Club

FEBRUARY 2002

<http://www.barconline.org>

HAM PROFILE

By Boyd Humpherys W7MOY

Our overseers, the Friendly Communications Commission must have sized up Brent Hale and all his activities and decided to give him a fitting call, KD7AID. Brent and his good spouse Vee are and have been involved in aiding about everyone they meet. Brent has had his tech ticket for about 4 years, sports an ADI dual band HT, a mag mount vertical and a neat d-pole for both bands that can be dismantled and thrown into the back pack and almost not be seen.

Last year sometime we featured John Waldron in the profile and related his experience down at Philmont, the 150 K acre Scout camp near Cimarron NM.,



in which they managed to contact one of the remote repeaters to report a life threatening emergency. Brent happened to be along with John, observed how signals got through when all

the CB equipment in the group did was make QRM. A lasting impression was made and Brent ultimately made a good choice and joined the ranks of our fraternity.

Brent was born in the metropolis of Pocatello, Idaho. Seems we inherit some good chaps from the spud state. Their loss and our gain. He graduated from Highland High in Pocatello, then spent a couple of years on a mission assignment for his faith in Michigan and Indiana. His experience with the blizzards in Michigan must have influenced him later to enroll at Ricks, up the pike in Rexburg. Many comments have been made about that place, being about 3 miles south of the Arctic circle, although most will settle for the figure of 2. While keeping his head buried in the text books, he did

(Continued on page 3)

PRESIDENTS MESSAGE

Hey it's February! That must mean the Olympics are here! Some of our club members have taken the opportunity to volunteer for the Olympics on the public safety side as well as the SLOC side. Sorry I can not tell you more but if I did I would have to shoot ya! (Just kidding)

This should make for some interesting stories when it is over. I have heard quite a few people make the comment that they are going to stay as far away from Salt Lake City as possible but for me it is a once in a life time opportunity. I figure I will never have a chance like this again in my lifetime!



The club has decided to open the autopatch for the BARC repeater system (146.72, 449.625, 147.26 and 145.31). And as of February 4th to make an autopatch call all you need to do is press the star key and

(Continued on page 3)



On Feb 5, 2002 a good friend and fellow ham, Farrell Garr KC7CWX, fell silent key. He passed away quietly in his home in Providence, Utah. Our thoughts and prayers go out to his family. The Funeral was held on Friday February 8 at 2:00 p.m. at the Providence 9th ward church 309 South Main Providence, Utah. Burial was in the Millville Cemetery.

Tyler Griffiths
N7UWX
President Bridgerland Amateur Radio Club

Farrell W. Garr — Silent Key

Club Officers

President

Tyler Griffiths N7UWX
tyler@n7uwx.net
(435)752-7269

Vice President

Rik Stallings N7XZ
n7xz@arrl
(435)750-5578

Secretary

Ted McArthur AC7II
ac7ii@attbi.net
(435)245-4904

Treasurer

Dave Fullmer N7RRZ
webmaster@spectradesign.com
(435)753-2685

Board Members

Cline Hendrickson K7KE
clineh@xmission.com
(435)563-3184

Julie Dabb KC7RPP
juliebugbug@hotmail.com
(435)797-6724

Dave Hancey KC7CXF
DALAHANCEY@aol.com
(435)563-6017

Newsletter Editor

Dale Cox KB7UPW
dalec@qwest.net
(435)563-3836

Web Page Editor

Kevin Reeve N7RXE
kevree@mdls.usu.edu
(435)753-1645

Farrell Whitney Garr, 57, died Feb. 5, 2002, of a brain tumor. He was born Sept. 18, 1944, to Leone Whitney and John Delore Garr in Logan, Utah. He married Dee Vesta Snell on Sept. 10, 1970, in the Logan LDS Temple.

Farrell graduated from South Cache High School in 1963 and went to Utah State University for a year before he left on his LDS mission to Texas. He served for two years in the Texas Mission and as soon as he returned he went into the Army to serve his country during the Vietnam era. He was a microwave technician. When he completed his tour of duty in Taiwan and Vietnam, He came home, met and married his wife, Dee.

He worked for Hyrum city as the police chief for about a year; and during that period trained as an emergency technician, which he used countless times as he traveled back and forth to Thiokol over the years. He helped many people with this training. Farrell served in scouting for many years receiving the Silver Beaver and serving on Woodbadge staff for many years, becoming a course director. He loved Scouting and all the wonderful people he served and worked with.



He also served the Bridgerland Amateur Radio Club in Cache Valley as a board member and President. He helped with many races, (LoToJa, Top of Utah Marathon, etc.), by providing radio communication and EMT support. He met many wonderful people in this group. He served on the Sheriff's Emergency Communication Team for several years and enjoyed the people in the club and the Sheriff's Office that he worked with very much. He worked at Thiokol for 24 years as a machinist and a tool sustenance coordinator. He served his church in many positions including Scouting, teaching positions, high priest group leader, etc.

He will always be remembered for his great sense of humor and his arm around your shoulders whether he had known you for a long time or had just met you. He accepted everyone and showed a caring and loving interest in each person. He adopted three children, took care of a foster son, Danny, and a wonderful young man, Justin Koeven. He has loved them all dearly. His family and friends will miss him very much. He was a joy to be around with his sense of humor and loving ways.

(Continued on page 3)

(Presidents Message Continued from page 1)

your phone number (*7527900). No more logging in to make a call. Autodial slots still work the same and of course you still will need to login to get the weather, DVR and the other specialties of our system.

Our reasoning for opening the system is to give our club a friendlier image and making it more accessible for amateurs traveling during the Olympics and winter. If we do have problems it can be closed as easily as it was opened.

For club meeting this month we are having an antenna building party. So if you would like to build a J-pole antenna, either copper or twin lead here's your opportunity!

For the copper J-pole you will need:

- 85" of 1/2" copper pipe
- 1 each 1/2" copper T fitting
- 1 each 1/2" copper Elbow
- 2 each 1/2" copper or plastic end caps
- 50 Ohm coax and connector

For the Twin lead J-pole you will need:

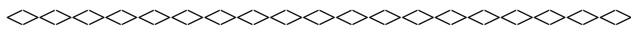
- 60" 300 Ohm twin lead
- 8 to 10 feet of 50 Ohm coax and connector

A diagram can be found at:

<http://www.cvarc.org/jpolescl.htm>

Look for the budget vote in at March club meeting. And until then...

73 de Tyler N7UWX



(Ham Profile Continued from page 1)

manage to peek out now and again and notice a young lady who suited his fancy. She was none other than Vee Booth who hailed from Fremont Nebraska. Our APRES group is no doubt now running for their boxes trying to locate that one. She gave us a clue, it's located north of Lincoln. Vee did confide that there were very few eligible bachelors back there in the cornfields, except the few who played roughhouse ball for the Cornhuskers and made a million dollars.

They decided to tie the knot and this they did in May of 74. They lived in Idaho for 6 years before migrating down to Happy Valley. Brent worked for Clearfield Cheese, USU Tech services and now has a rather imposing responsibility for the mechanical aspects of about 22 Church buildings from Logan Northwards. Most of us think of blacksmithing as something our grand fathers fooled around with by heating

up all sorts of metal and then repeatedly bashing it with a hammer. Brent indicated this was one of his interests and he has spent considerable time in demonstrating the art at the Jensen Historical farm where he has drawn quite a circle of onlookers when he goes to it. If any of you need your watch band fixed, he can likely take care of it with one smack. Brent is also a scouter, he and all his sons having earned the Eagle rank.

Their family consists of Annalyn, Aaron, majoring in math and stats at USU and incidentally will run in the Boston Marathon this spring, along with 15,000 other huffers and puffers. Keith is working in SLC, Derek, the caboose, will be a freshman at USU shortly.

Vee in between taking care of the house, tatting, which is a form of crocheting to we of less comprehension, drives a school bus for special ed students. I asked Vee what she thought of Brent when he decided to give Ham Radio a go. Her reply, a classic. "I feared he would become a recluse in the basement, talking to all those strangers, and we would never see him again". Strange, I didn't think we were such odd people, all things considered.

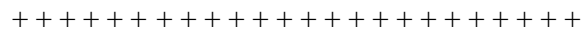


(Silent Key Continued from page 2)

He is survived by seven children: Wade, 26, Logan; Danielle (Kelly) Sununers, 23, Logan; Ashley Forrest, 21; Haven, 18; Gavin, 16; Rhett, 14; and Justin Koeven, 21, all of Providence. Two grandchildren: Kaydin, 3; and Ayla, 1, of Logan. Two brothers and three sisters: Cyril Garr, Kearns, Utah; Dennis T. Garr, Kearns, Utah; Dennis T. (Connie) Garr, Hyde Park, Utah; Phyllis (Merle) Kingsford, Clinton, Utah; Gwenda (David) Wilson, Layton, Utah; Lawanna Smith, Ogden, Utah. He was preceded in death by his parents, John Delore and Leone Whitney Garr; grandparents, Johnny and Elizabeth Garr, and Samuel and Edna Whitney; and sister-in-law, Lyla (Cyril).

Funeral services were held at 2 p.m. on Friday, Feb. 8, at the Providence 9th Ward, 308 S. Main St., Providence.

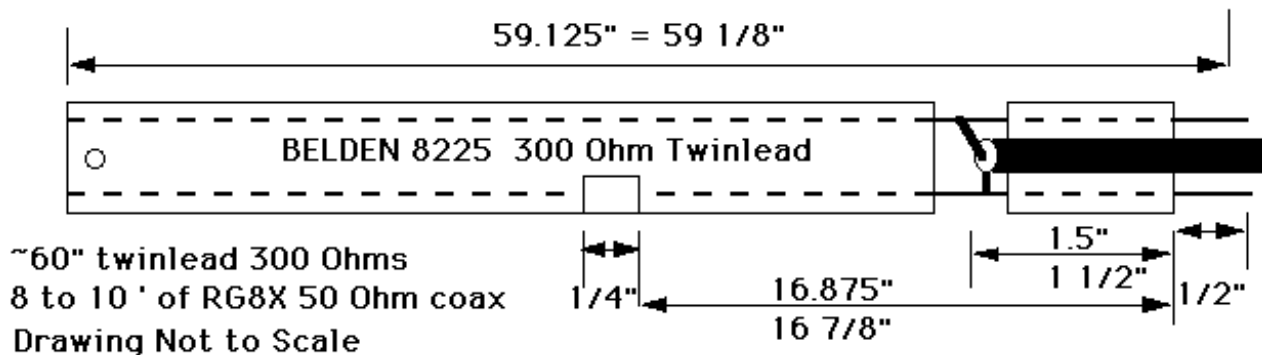
Burial was at the Millville City Cemetery.



Editors Note: Thanks to The Herald Journal for this information. Ferrell was elected vice president of the Bridgerland Amateur Radio Club in 97 and was elected the president of the club in 98. He continued on the board for 99 & 2000. His friendship and services were appreciated and he will be missed by all.

Roll-up J-Pole Antenna for 2 Meters

1. Cut a piece of standard 300 Ohm Twin Lead to about 60" long.
2. At one end strip off 1/2" of insulation from both conductors.
3. Twist the ends together and solder them. Insulate with tape.
4. Cut a 1/4" notch in one conductor at 16.875". Do Not remove the rest of the conductor.
5. At 1.5" from the shorted end, remove enough insulation from both conductors to connect the coaxial line feed.
6. Connect the coaxial line shield to the 16.875" side.
7. Connect the coaxial center conductor to the long side.
8. For support and protection, put a piece of heat shrink for plastic tape over each of the solder connections.
9. Punch a 1/8" hole in the center of the insulation at the open end to hang the J-Pole. A small string or Tie-wrap works well hang up the J-Pole.
10. Tuning: If you use the exact dimensions shown, the antenna will be resonant in the two meter band. Prune the open end a little if not exact with an SWR meter to determine minimum reflected power.



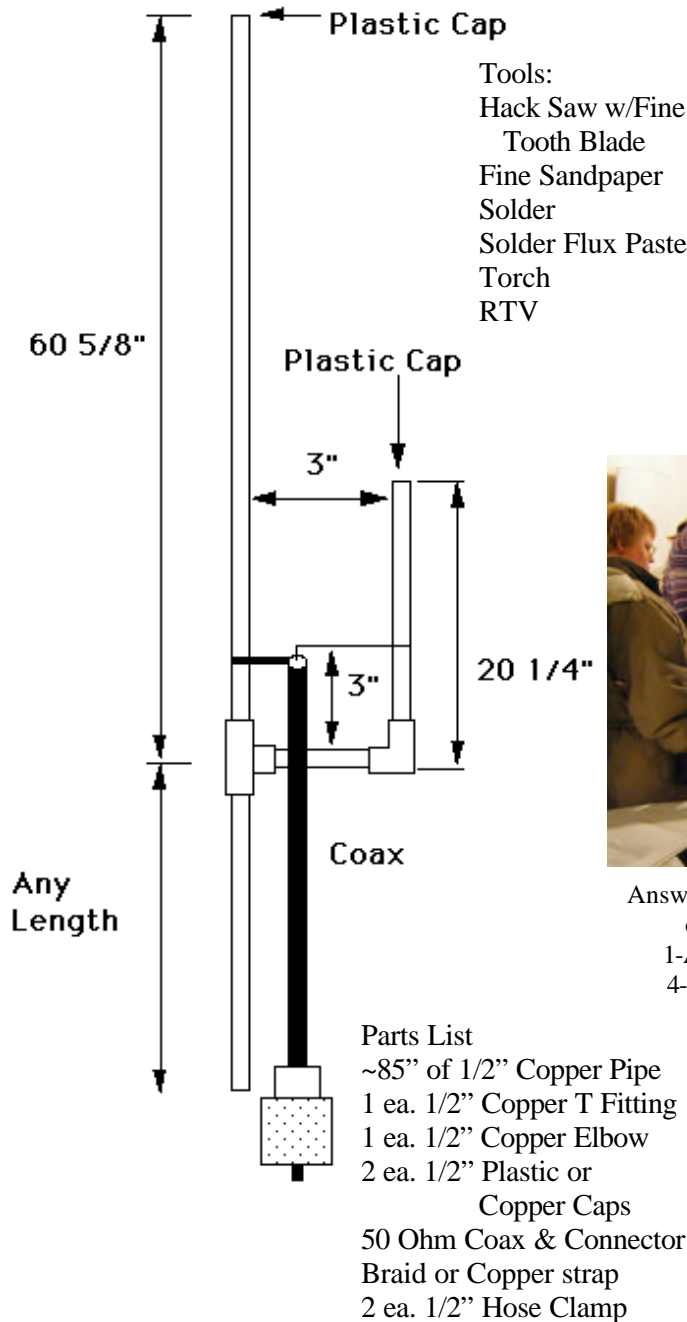
Bridgerland Amateur Radio Club Log-in # _____
Application for the Year 2002 Membership
Dues are in effect January 1, 2002 through December 31, 2002

Name _____ Call Sign _____ Date Paid _____
P.O. Box _____ Street Address _____
City _____ State _____ Zip Code _____
Home Phone () _____ Work Phone () _____
Phone # for Auto-dial slot _____ Email _____

- New Member activation fee - \$10 \$ _____
- Individual Membership - \$25 \$ _____
- Additional Family members in same household - \$3 \$ _____
(One Newsletter per household)
- Names and call signs of additional family members TOTAL \$ _____
- Name _____ Call Sign _____
- Name _____ Call Sign _____
- Are you an ARRL Member?

Mail your completed form and a check to: B.A.R.C., P.O. Box 111, Providence, Ut 84332-0111
B.A.R.C. is a non-profit organization

Copper J-Pole Antenna for 2 Meters



Construction:

1. Cut copper pipe to length allowing for the length of fittings.
2. Sandpaper ends.
3. Solder with torch and flux.
4. Solder shield and tape coax to longer piece.
5. Use copper strap or braid to connect center lead.
6. Adjust feed point for minimum SWR and solder or clamp in place.
7. Seal coax with RTV and install caps

January BARC Club Meeting Come Join the Fun!!!

For club meeting in January there were displays and discussions about APRS stations.



For February we will be making J-Pole antennas. Come have fun and enjoy the refreshments.

Answers to questions on page 6:
1-A, 2-C, 3-D,
4-C, 5-C, 6-C



The Ohm Town News

If you receive your Ohm Town News in the mail the label has a date in it. This is the date that your dub membership expires. If the date is printed in red this is your last issue of The Ohm Town News unless you renew your membership. If the date is in green you are all set! If you would be interested in receiving your newsletter via e-mail please let me know so that we can get it sent to you. If you receive it via e-mail you will get it with color pictures and it will not have to wait for the USPS. The club will also save on printing and postage costs.

Editor: Dale Cox KB7UPW E-Mail: dalec@qwest.net

Questions for Extra Class License

1. (E1A07) What is the maximum mean power permitted for any spurious emission from a transmitter or external RF power amplifier transmitting on a frequency below 30 MHz?
 - A. 50 mW
 - B. 100 mW
 - C. 10 mW
 - D. 10 W
2. (E1B03) What must be done before an amateur station is placed within an officially designated wilderness area or wildlife preserve, or an area listed in the National Register of Historical Places?
 - A. A proposal must be submitted to the National Park Service
 - B. A letter of intent must be filed with the National Audubon Society
 - C. An Environmental Assessment must be submitted to the FCC
 - D. A form FSD-15 must be submitted to the Department of the Interior
3. (E2B03) How is the interlace scanning pattern generated in a fast-scan television system?
 - A. By scanning the field from top to bottom
 - B. By scanning the field from bottom to top
 - C. By scanning from left to right in one field and right to left in the next
 - D. By scanning odd numbered lines in one field and even numbered ones in the next
4. (E3A10) Which range of frequencies is well suited for meteor-scatter communications?
 - A. 1.8 - 1.9 MHz
 - B. 10 - 14 MHz
 - C. 28 - 148 MHz
 - D. 220 - 450 MHz
5. (E5B08) What is the time constant of a circuit having a 220-microfarad capacitor in series with a 470-kilohm resistor?
 - A. 47 seconds
 - B. 80 seconds
 - C. 103 seconds
 - D. 220 seconds
6. (E5E02) What effect causes most of an RF current to flow along the surface of a conductor?
 - A. Layer effect
 - B. Seeburg effect
 - C. Skin effect
 - D. Resonance effect

**THE OHM TOWN NEWS
PO BOX 111
PROVIDENCE, UT 84332**

February, 2002

Some Contents...

Presidents Message	1
Ham Profile: Brent Hale.....	1
Club Officers and info	2
Ferrell Garr - Silent Key	2
BARC club application	4
J-Pole antennas	4, 5

